



DATE:

TAG:

JOB:

COMPANY:

PROJECT:

SALES PERSON:

PRINT DATE: 05/06/2024

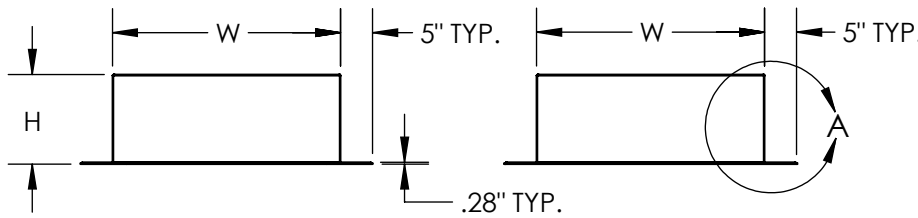
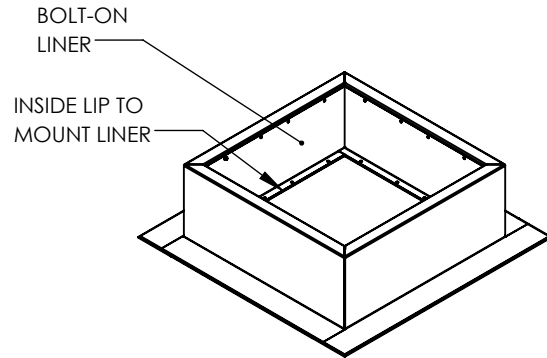
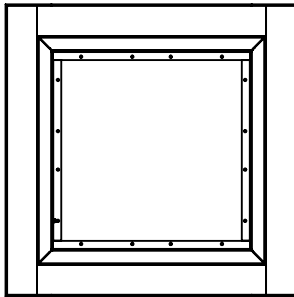
**MXI UPBLAST FAN CURB**

**STANDARD CONSTRUCTION**

- HEIGHTS UP TO 24 INCHES
- GASKET AND MOUNTING HARDWARE PROVIDED
- DOUBLE THICKNESS FLANGE
- GALVANIZED AND COATED CONSTRUCTION

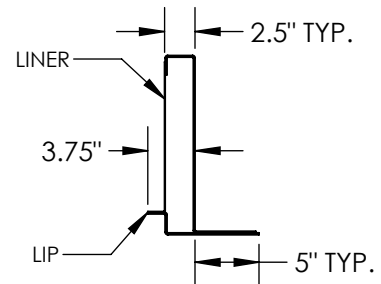
**OPTIONAL FEATURES**

- 1.5 INCH RIGID INSULATION WITH SS BOLT-ON LINER
- VENTED (ONLY IN HEIGHTS 18 INCHES AND UP)



**DIMENSIONAL DATA**

SIZE	W	H
122	24.00	12, 18, OR 24
135	26.00	14, 18, OR 24
150	28.00	14, 18, OR 24
165	30.00	14, 18, OR 24
182	33.00	14, 18, OR 24
200	36.00	14, 18, OR 24
222	39.00	14, 18, OR 24
245	42.00	14, 18, OR 24
270	45.00	14, 18, OR 24
300	51.00	14, 18, OR 24
330	55.00	14, 18, OR 24
365	60.00	14, 18, OR 24
402	66.00	14, 18, OR 24
445	72.00	14, 18, OR 24
490	78.00	14, 18, OR 24
542	86.00	14, 18, OR 24
600	94.00	14, 18, OR 24



DETAIL A  
WALL DETAIL

**ALL DIMENSIONS ARE IN INCHES**

REVISION:

FORM:

REPLACES: